

TVAN INSPIRE



from **\$69,900**

MK6

Travel Height: 2160mm
Travel Width: 1920mm
Travel Length: 4900mm
Setup length: 6600mm

Ball Weight: 160kg¹
Tare: 1065kg¹
ATM: 1800kg

Australian made steel
Australian made canvas
5 year chassis warranty
5 year suspension warranty

The new **MK6 Tvan Inspire** builds on over 25 years of Tvan legacy offering familiar inclusions and options but now also with:

- Increased headroom over the bed
- Increased front boot capacity
- Increased pantry capacity²
- Increased glass window size³
- Increase quick awning size²
- Updated lighting, aesthetic and structural improvements



TRACK.
"RVs THAT INSPIRE"

Power

- 1 x 125Ah lithium battery (rear mounted in battery box) plus wiring for 2nd battery
- 350W pure sine wave inverter
- Roof mounted 200W solar panel
- Redarc Manager 30 with RedVision Display
- 3 x USB outlets on RHS & LHS of bed
- Merit, accessory and USB sockets throughout

Water

- 108L water tank (rear mounted)
- Draw water from an external source (jerry can or bucket)

Interior Refinements

- Roof storage system
- Side wall storage pockets
- Under mattress liner
- 3-speed fan with timer
- 2 x roof hatches with blinds and midge screens
- Genuine Australian made canvas (Dynaproofed)
- LED light in tent
- 4 x LED lights individually switched
- 2 x reading lights individually switched
- Insulated wall panels and fabric lined roof
- High density foam mattress
- Magnetised tent fixings and window curtains

Storage (Note: LHS is kitchen side of Tvan)

- 2 x sealed lockers - LHS slide-out tray with tie-down points and Anderson plug for fridge
- Slide out staging table under fridge slide
- Storage locker lighting
- Single handed operation of slide lock bar

Suspension, Chassis, Body & Wheels

- Military grade MC2 suspension®
- 1.8 tonne suspension incl. 12" off-road electric drum brakes and handbrake
- Hot dipped galvanised chassis
- Bump stops to suit 33" diameter tyres
- 17 x 8 steel wheels
- Side panniers for 2 x 20L jerry cans
- LED tail lights and side clearance markers
- Rear wood rack
- Easylift heavy duty jockey wheel
- Flat 7 pin trailer plug

Drawbar

- DO35 3.5 tonne fully articulated off-road coupling
- Aluminium checker plate step and spirit level
- 2 x 4kg gas bottles
- Stone deflectors
- Spare wheel mount

Outdoor Living (Note: all canvas is Jet Grey)

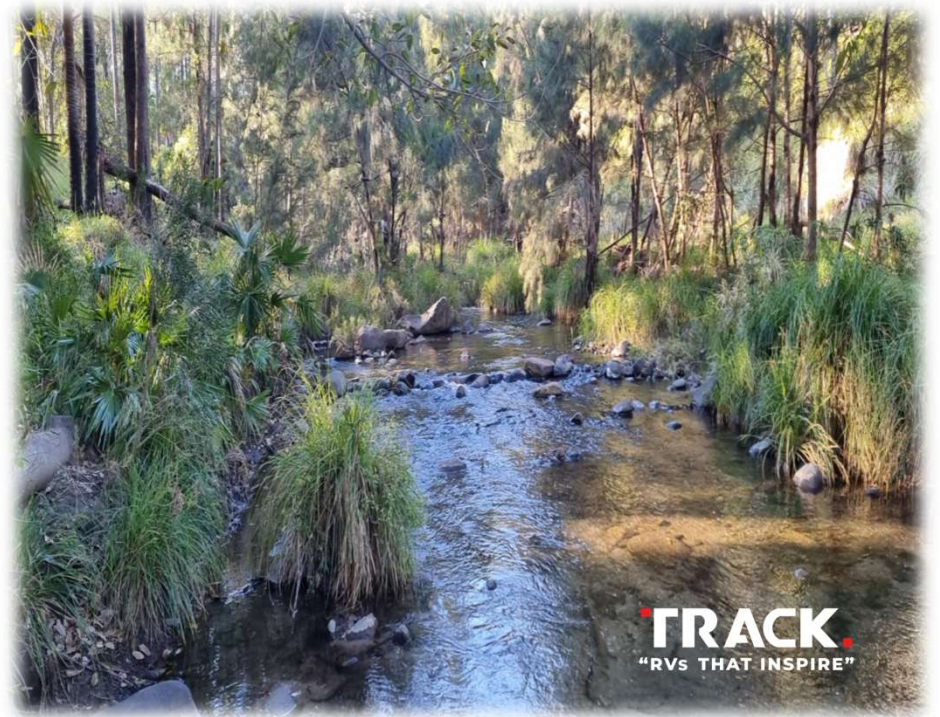
- Triangular Sail Awning

Premium Kitchen

- Stainless steel slide-out external kitchen
- 3 burner gas cooktop with Piezo ignition
- Cold water plumbed to kitchen
- Under kitchen LED light
- Yellow and white LED light over kitchen
- 1 x 12V merit plug in kitchen locker

General Specifications

| | |
|-------------------------------|-----------------|
| Overall length in travel mode | 4900mm |
| Overall width | 1920mm |
| Interior setup length | 4800mm |
| Overall length in setup mode | 6600mm |
| Height (unladen) | 2160mm |
| Tent area size (on the deck) | 1700mm x 2100mm |
| Wheel track | 1650mm |
| Departure angle | 30 degrees |
| Suspension travel | 250mm |
| ATM | 1800kg |
| Water tank | 108L |
| Jerry cans | Up to 6 |



| Power | RRP (inc GST) |
|--|------------------|
| Additional 125Ah lithium battery | \$1,398 |
| Redarc 160W monocrystalline solar blanket (rear hatch mounted) | \$850 |
| 2x outside 240V kitchen outlets (powered when connected to 240V mains power) | \$305 |

| Water | RRP (inc GST) |
|-----------------------------|------------------|
| Additional 70ltr water tank | \$1,510 |

| Premium Kitchen | RRP (inc GST) |
|--|------------------|
| Additional plumbed gasline with quick snap connector (for use with 'flame failure' gas device) | \$255 |

| Interior Refinements | RRP (inc GST) |
|---|------------------|
| Additional 3-speed fan with timer | \$340 |
| Fabric lined bed head | \$285 |
| Diesel hot water & heating including ensuite tent | \$5,890 |
| Bed tie-down rails (pair) | \$190 |
| Ultimate pocket spring mattress | \$715 |

| Suspension, Chassis, Body and Wheels | RRP (inc GST) |
|--|------------------|
| Alloy wheel upgrade 17 x 8 | POA |
| Customise suspension to best suit tow vehicle specifications (conditions apply) | POA |
| Underbody protection mudflaps | \$410 |
| ARK dual wheel, height adjustable jockey wheel | \$350 |

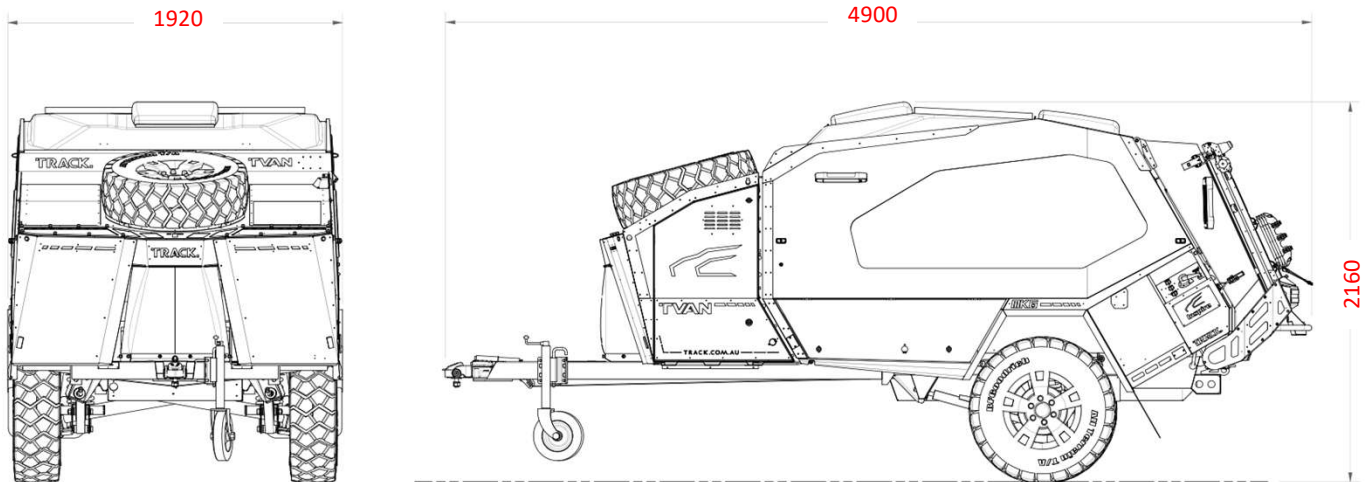
| Trim Colour Options (Blue is standard) | RRP (inc GST) |
|--|------------------|
| Trim colour options | POA |

| Outdoor Living (Note: all canvas is Jet Grey) | RRP (inc GST) |
|---|------------------|
| Rear insect screen midge proof mesh | \$399 |
| Rear insect screen upgrade to canvas | \$699 |
| 2 x additional tent windows and vent under bed | \$765 |
| Tropical roof (in lieu of catch net) | \$990 |
| Zip on family room tent with solid vinyl floor | \$1,699 |
| Quick Cover™ swing-out awning | \$2,390 |
| Quick Cover™ shade wall kit (2 x walls) | \$799 |
| Annex – roof, kitchen end and fridge wall | \$2,170 |
| Annex – 2 nd end wall with or without window | \$599 |
| Annex – long (side) wall with 2 x windows and door | \$1,499 |
| Draught skirt | \$479 |

| Storage | RRP (inc GST) |
|---|------------------|
| Front boot pantry LHS | \$1,220 |
| Evakool 95L RF fridge/freezer with MSA tiedown straps | \$2,100 |
| Adjustable shelf in RHS front locker | \$250 |
| Additional shelf in RHS front locker | \$250 |
| Slide out tray with tie-down points in RHS front locker | \$620 |
| Anderson plug in RHS front boot locker | \$65 |
| ISI 2 bike rack inc chassis mount (requires drawbar extension) | \$1,475 |
| ISI 4 bike rack inc chassis mount (requires drawbar extension and spare wheel relocation) | \$1,849 |
| Drawbar extension | \$750 |
| Under body spare wheel relocation | \$499 |
| Optional ISI car fit kit (vehicle info required for specific pricing) | POA |
| Maxtrax mounting pins | \$150 |



The **MK6 generation** builds on the rock-solid reputation Tvals have established over more than 25 years. They are known for their bulletproof build and go-anywhere off-roadability since they first hit the market.



For the first time since the Tvan's introduction, the side body profile undergoes a substantial redesign in the MK6. This change allows for **greater headroom, improved practicality, and a more spacious feel**, particularly toward the front of the van.

The shape of the side windows, one of the Tvan's most distinctive visual features, has also changed to suit the new body shape. Noticeably **20% larger glass opening windows³** will let **significantly more light** into the interior, enhancing the feeling of spaciousness. **Improved interior lighting** will further contribute to a **brighter and more modern feel**.

The Quick Cover™ awning² has been redesigned to offer significantly **more coverage and increased headroom**, particularly at the front of the van.

The new front boot for the Tvan MK6 receives a substantial refresh with **new options and features** including:

- a **40% larger fridge compartment** and
- a **20% larger pantry²**.

The rear deck receives **aesthetic and structural improvements**.



TRACK is proudly represented by your local dealer:



www.tracktrailer.com.au
 sales@tracktrailer.com.au
 Tel: 03 8727 6100



MC2 ASYMMETRIC LINK SUSPENSION

TRACK.
"RVs THAT INSPIRE"